

POWER MONITORING & PROTECTION



PELTEC 200 SERIES VOLTAGE MONITORS 200 SERIES

DESCRIPTION

The **200 Series** voltage monitors control supply voltage for equipment that is sensitive to supply tolerance and offers protection against under- and over-voltage conditions. They have adjustable time delays to avoid nuisance tripping. The **200 Series** have red and green LEDs to indicate 3 conditions: normal operation and 2 fault conditions.



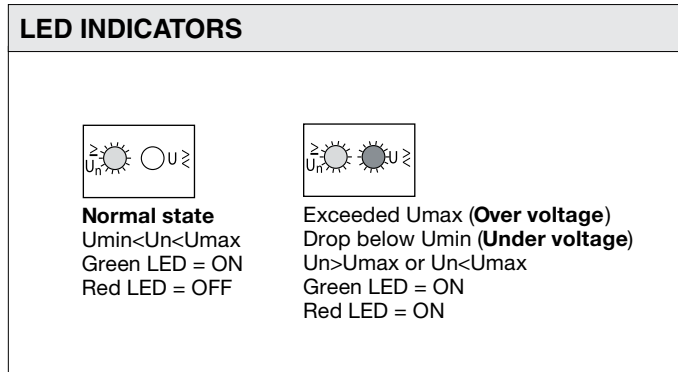
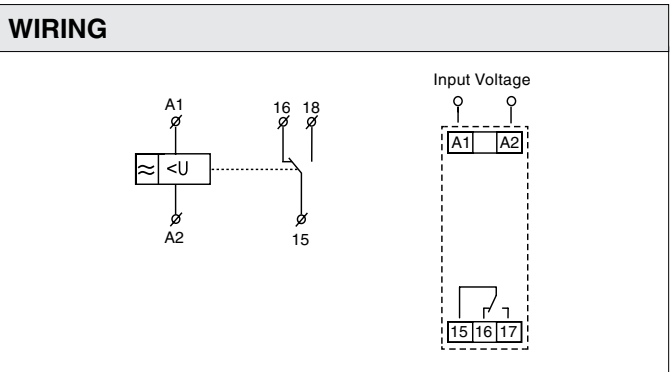
FEATURES

- **Minimum voltage setting as a percentage of the maximum voltage**
- **DIN rail mounting**
- **Adjustable time delay up to 10 seconds to avoid nuisance tripping**
- **Two independent levels of voltage (upper + lower) can be set**



PELTEC 233

SPECIFICATIONS	
Supply Voltage	
233	48-276 VAC
264	6-30 VDC
Power Consumption	
233	(ACmax) 1.2 VA
264	(DCmax) 1.2 VA
Upper Voltage Setting	
233	160-276 VAC
264	18-30 VDC
Lower Voltage Setting	
233	30-95% of maximum
264	35-95% of maximum
Maximum Constant Voltage	
233	276 VAC
264	36 VDC
Setting Accuracy	5%
Relay Output Form	SPDT
Rated Current	16A
Inrush Current	30 Amps / <3s
Operating Temperature	-4° to 131°F (-20° to 55°C)
Storage Temperature	-22° to 158°F (-30° to 70°C)
Mounting	DIN rail
Approvals	EN 60255-6, EN 61010-1, UL #E352333, CE, RoHS



ORDERING INFORMATION

MODEL	DESCRIPTION
233	16A relay SPDT, monitors 48-276VAC w/time delay
264	16A relay SPDT, monitors 6-30VDC w/time delay

POWER MONITORING & PROTECTION

16

